



BULL10M / BULL1024ESA



CONTROL PANELS:

BULL10M ———> CP.BULL-RI

BULL10M.S ———> CP.BULL-RI

BULL1024ESA ———> CP.B1024ESA

BULL1024ESA.S —> CP.B1024ESA



AUTOMATIONS FOR SLIDING GATES COMMERCIAL USE

control with built-in encoder and receiver
personalised release key
up to 1,000 kg



DESCRIPTION

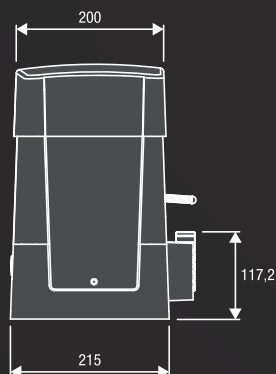
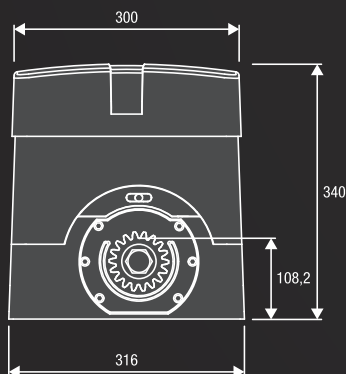
Irreversible electromechanical geared motor equipped with encoder available in 230 Vac or 24 Vdc version. Full metal release system.

230 Vac

- 230 Vac geared motor with built-in control unit and encoder
- The encoder device ensures crush prevention and precision in the gate moving phases
- Self-ventilating for increased usage intensity
- Version equipped with magnetic limit switches available (BULL10M.S)

24 Vdc **intensive use**

- 24 Vdc geared motor for intensive use, with built-in control unit, ESA SYSTEM and encoder
- Amperometric sensor obstacle detection system to prevent crushing
- Battery back up system ready
- Version equipped with magnetic limit switches available (BULL1024ESA.S)





RI.M4F
9272010

M4 rack 30x12x1000mm slotted and galvanized. Supplied with M6 metric screws and threaded spacers.

Packaging: 4 pcs



RI.M4Z
9272030

M4 galvanized rack (22x22x2000 mm).

Packaging: 2 pcs



RI.M6Z
9272040

M6 galvanized rack 30x30x2000 mm. (needs the RI.P6 accessory to work).



RI.P6
9630001

M6 gear, It needs the rack RI.M6Z.



BULL.PI
9623005

Raised foundation plate. 280 x 170, n.4 Ø 11 floor brackets, 269 x 106 n.4 M10 screws for motor.



SB.BULL20.F
9747026

Externally fitted anti-intrusion cable unlock device (L=4.5m).



ID.TA
9846019

Warning board.



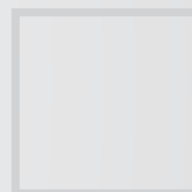
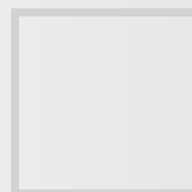
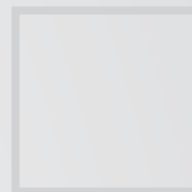
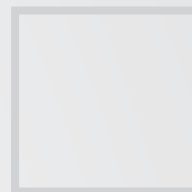
ESA BASIC
9176108

System that reduces the electrical energy consumption.



KSUN
9611004

KIT for system operation via solar panel. For 24 Vdc models.



MADE IN ITALY

AUTOMATISMI BENINCA SpA • via del Capitello, 45 • 36066 Sandrigo (VI) ITALY • T +39 0444 751030 • F +39 0444 759728 • sales@beninca.it

TECHNICAL DATA	BULL10M	BULL10M.S	BULL1024ESA	BULL1024ESA.S
Code	9590575	9591016	9591456	9591481
Power supply	230 Vac (50-60Hz)	230 Vac (50-60Hz)	230 Vac (50-60Hz)	230 Vac (50-60Hz)
Motor supply	230 Vac	230 Vac	24 Vdc	24 Vdc
Max absorbed current	1.6 A	1.6 A	1.7 A	1.7 A
Power consumption in stand-by	-	-	8 mA	8 mA
Max Thrust	1000 N	1000 N	940 N	940 N
Opening speed	10.5 m/min	10.5 m/min	11.7 m/min	11.7 m/min
Operation cycle	40%	40%	intensive use	intensive use
Protection level	IP44	IP44	IP44	IP44
Magnetic limit switches	NO	YES	NO	YES
Operating temperature	-20°C /+50°C	-20°C /+50°C	-20°C /+50°C	-20°C /+50°C
Max gate weight	1000 kg	1000 kg	1000 kg	1000 kg
Driving gear for rack	M4 Z18	M4 Z18	M4 Z18	M4 Z18
Weight	18.7 kg	18.7 kg	18.7 kg	18.7 kg
Items no. per pallet	20	20	20	20